



Cambridge International Examinations
Cambridge Primary Checkpoint

MATHEMATICS

0845/01

Paper 1

October 2016

MARK SCHEME

Maximum Mark: 40

IMPORTANT NOTICE

Mark Schemes have been issued on the basis of **one** copy per Assistant examiner and two copies per Team Leader.

This document consists of **10** printed pages.



Question number	1		
Part	Mark	Answer	Further Information
	1		
Total	1		

Question number	2		
Part	Mark	Answer	Further Information
	1	7190 (km)	
Total	1		

Question number	3		
Part	Mark	Answer	Further Information
	1	72 (oranges)	
Total	1		

Question number	4		
Part	Mark	Answer	Further Information
	2		<p>All 3 diagrams must be correct for 2 marks.</p> <p>Award 1 mark for any two correct diagrams.</p>
Total	2		

Question number	5	CPM	
Part	Mark	Answer	Further Information
	1	504 514 5004 (5040)	
Total	1		

Question number	6		
Part	Mark	Answer	Further Information
	1	500	
Total	1		

Question number	7		
Part	Mark	Answer	Further Information
	1	2	
Total	1		

Question number	8																																																														
Part	Mark	Answer	Further Information																																																												
(a)	1	<table border="1"> <tr><td>1</td><td>2</td><td>3</td><td>4</td><td>5</td><td>6</td><td>7</td><td>8</td><td>9</td><td>1</td></tr> <tr><td>1</td><td>1</td><td>1</td><td>2</td><td>3</td><td>4</td><td>5</td><td>6</td><td>7</td><td>2</td></tr> <tr><td>2</td><td>2</td><td>2</td><td>2</td><td>2</td><td>2</td><td>2</td><td>2</td><td>2</td><td>3</td></tr> <tr><td>3</td><td>3</td><td>3</td><td>3</td><td>3</td><td>3</td><td>3</td><td>3</td><td>3</td><td>4</td></tr> <tr><td>4</td><td>4</td><td>4</td><td>4</td><td>4</td><td>4</td><td>4</td><td>4</td><td>4</td><td>5</td></tr> <tr><td>5</td><td>5</td><td>5</td><td>5</td><td>5</td><td>5</td><td>5</td><td>5</td><td>5</td><td>6</td></tr> </table>	1	2	3	4	5	6	7	8	9	1	1	1	1	2	3	4	5	6	7	2	2	2	2	2	2	2	2	2	2	3	3	3	3	3	3	3	3	3	3	4	4	4	4	4	4	4	4	4	4	5	5	5	5	5	5	5	5	5	5	6	
1	2	3	4	5	6	7	8	9	1																																																						
1	1	1	2	3	4	5	6	7	2																																																						
2	2	2	2	2	2	2	2	2	3																																																						
3	3	3	3	3	3	3	3	3	4																																																						
4	4	4	4	4	4	4	4	4	5																																																						
5	5	5	5	5	5	5	5	5	6																																																						
(b)	1	20, 40, 60																																																													
Total	2																																																														

Question number	9		
Part	Mark	Answer	Further Information
	1		
Total	1		

Question number	10		
Part	Mark	Answer	Further Information
	1	(4, 1)	Coordinates must be written in the correct order.
Total	1		

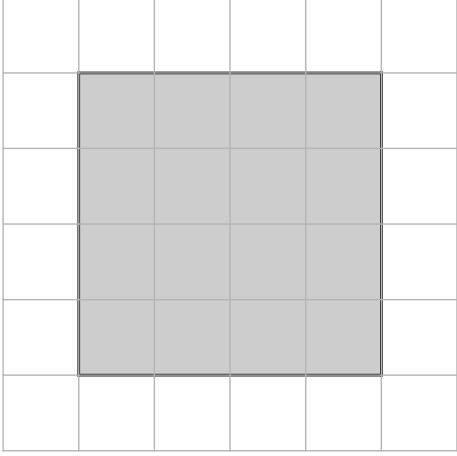
Question number	11		
Part	Mark	Answer	Further Information
	2		Award 1 mark for 2 or 3 correct lines drawn.
Total	2		

Question number	12		
Part	Mark	Answer	Further Information
(a)	1	87 (passengers)	
(b)	1	18 (weeks)	
(c)	1	3.56	
Total	3		

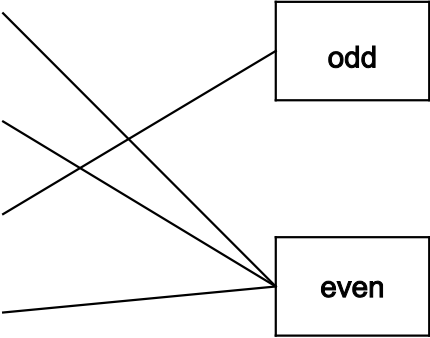
Question number	13		
Part	Mark	Answer	Further Information
	1	$\boxed{60000} + \boxed{3000} + \boxed{900} + \boxed{40} + \boxed{2}$	
Total	1		
Question number	14		
Part	Mark	Answer	Further Information
	2		<p>Award 1 mark for any 2 or 3 correct.</p> <p>Accept equivalent fractions or mixed numbers.</p>
Total	2		

Question number	15		
Part	Mark	Answer	Further Information
	1	360 – 18	<p>An answer is not required.</p> <p>The mark is awarded for evidence of subtracting 18</p> <p>Do not award the mark for 342 only.</p> <p>Do not award the mark for long multiplication of 19×18</p>
Total	1		

Question number	16		
Part	Mark	Answer	Further Information
(a)	1	<p>Points plotted; 15(°C) at 6:00 pm and 10(°C) 8:00 pm</p>	
(b)	1	19(°C)	Accept answers between 18.5(°C) and 19.5(°C) inclusive.
Total	2		

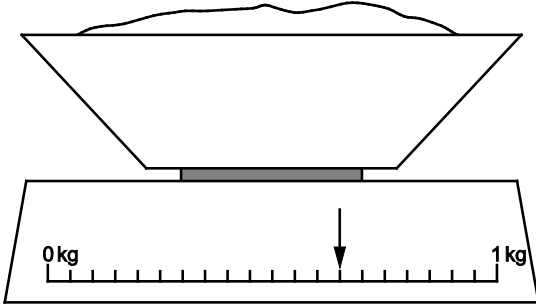
Question number	17		
Part	Mark	Answer	Further Information
	1	4 × 4 square placed anywhere on the grid 	Do not accept a square that does not use the grid lines.
Total	1		

Question number	18		
Part	Mark	Answer	Further Information
	1	600 (chairs)	
Total	1		

Question number	19	CPM100606	
Part	Mark	Answer	Further Information
	1	64×10 37×4 63×7 14×3 	
Total	1		

Question number	20												
Part	Mark	Answer			Further Information								
	2	<table border="1"> <tr> <td>Less than one half</td> <td>Equal to one half</td> <td colspan="2">Greater than one half</td> </tr> <tr> <td>$\frac{5}{12}$ $\frac{45}{100}$</td> <td>$\frac{10}{20}$</td> <td>$\frac{4}{6}$</td> <td>$\frac{6}{10}$</td> </tr> </table>			Less than one half	Equal to one half	Greater than one half		$\frac{5}{12}$ $\frac{45}{100}$	$\frac{10}{20}$	$\frac{4}{6}$	$\frac{6}{10}$	<p>Award 1 mark for 3 or 4 fractions correctly placed.</p> <p>Any fraction placed in more than one column should be marked as incorrectly placed.</p>
Less than one half	Equal to one half	Greater than one half											
$\frac{5}{12}$ $\frac{45}{100}$	$\frac{10}{20}$	$\frac{4}{6}$	$\frac{6}{10}$										
Total	2												
Question number	21												
Part	Mark	Answer			Further Information								
	1	$\textcircled{0.36}$ 0.38 0.46 0.48 $\textcircled{0.64}$ 0.74											
Total	1												

Question number	22				
Part	Mark	Answer			Further Information
	1	$\frac{3}{5}$			
Total	1				

Question number	23				
Part	Mark	Answer			Further Information
	1	<p>Arrow points to 650 grams</p> 			
Total	1				

Question number	24		
Part	Mark	Answer	Further Information
	2	270 (passengers)	Award 1 mark for a correct method containing any number of arithmetic errors, e.g. $315 - (315 \div 7)$ or $\frac{6}{7}$ of 315 or for sight of 45
Total	2		

Question number	25		
Part	Mark	Answer	Further Information
	1	83(mm)	Accept 82 – 84(mm)
Total	1		

Question number	26		
Part	Mark	Answer	Further Information
	1	14th November	Do not allow just 14 (th)
Total	1		

Question number	27		
Part	Mark	Answer	Further Information
(a)	1	14	
(b)	1	15	Do not accept 24 – 9 without answer.
Total	2		

Question number	28		
Part	Mark	Answer	Further Information
	2	<p> 0.2 0.1 0.3 0.4 0.5 0.7 0.6 or 0.2 0.5 0.7 0.4 0.1 0.3 0.6 </p>	Award 1 mark for any 2 or 3 lines of 3 counters with a total of 1.2 or all lines of 3 counters having a total of 1.2 but some counters are used more than once (not all counters used).
Total	2		

Question number	29		
Part	Mark	Answer	Further Information
	1	1.8 (3) (9) 12 (18) 36	
Total	1		